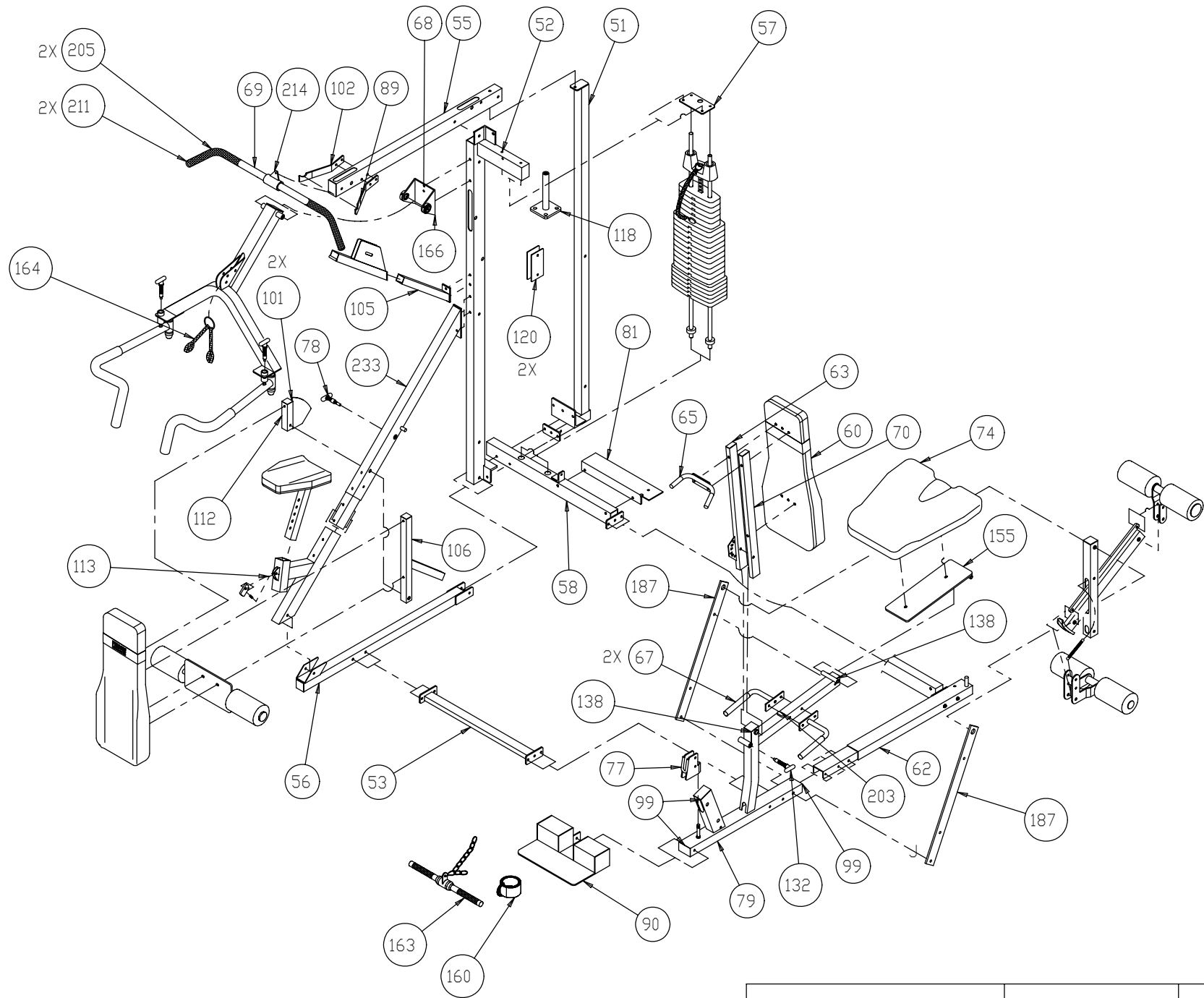
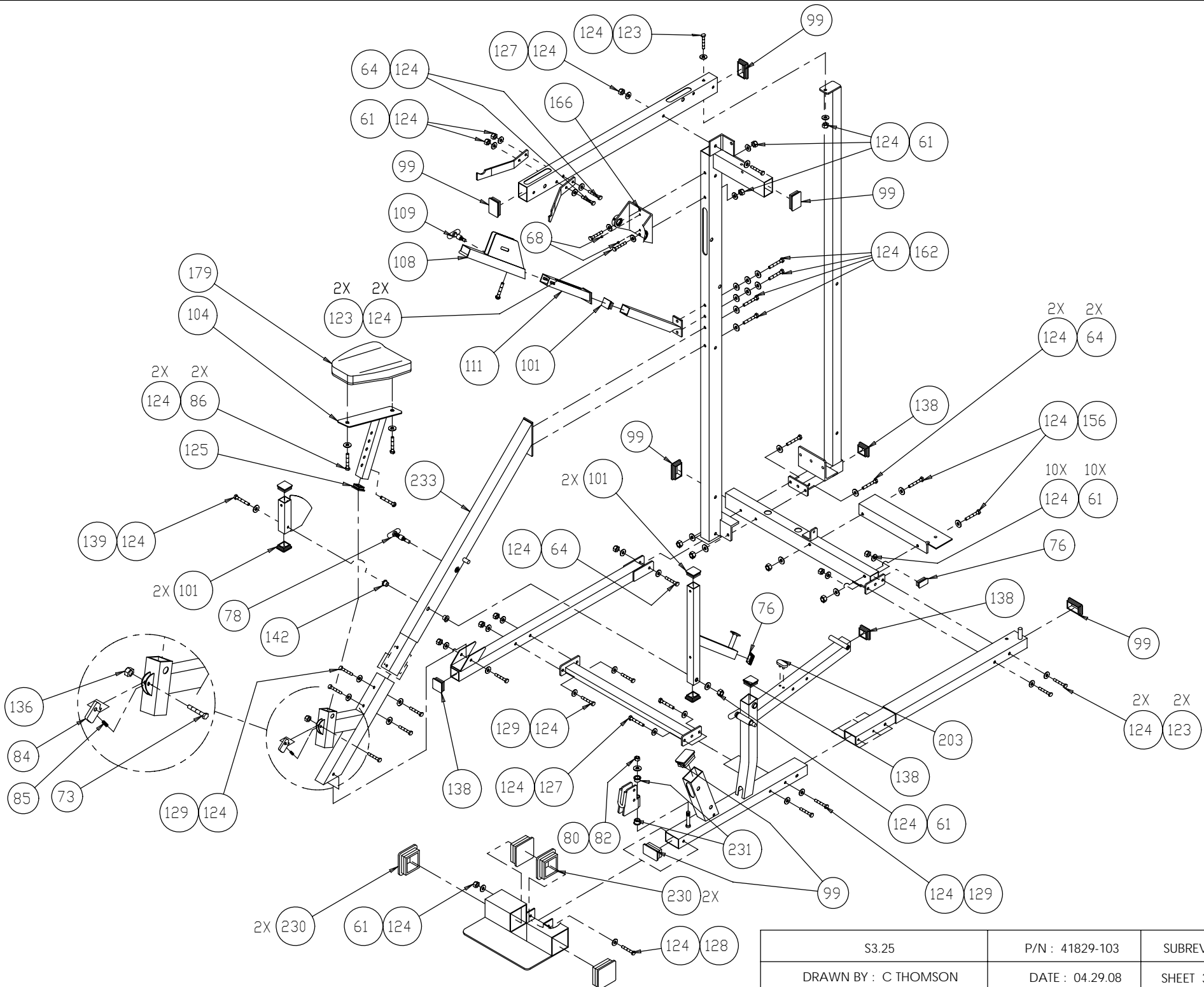


S3.25	P/N : 41829-103	SUBREV : A09
DRAWN BY : C THOMSON	DATE : 04.29.08	SHEET 1 OF 16

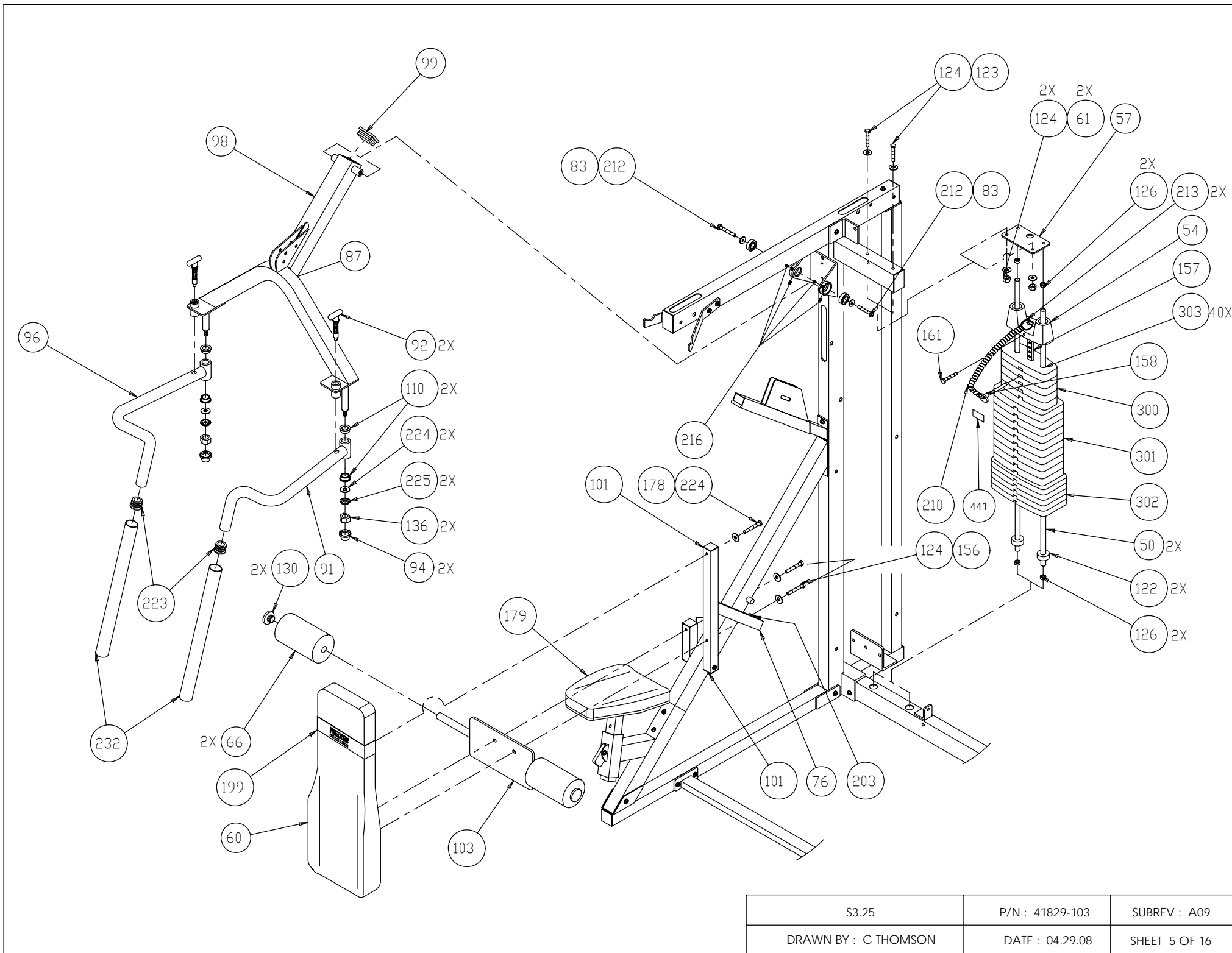


S3.25	P/N : 41829-103	SUBREV : A09
DRAWN BY : C THOMSON	DATE : 04.29.08	SHEET 2 OF 16

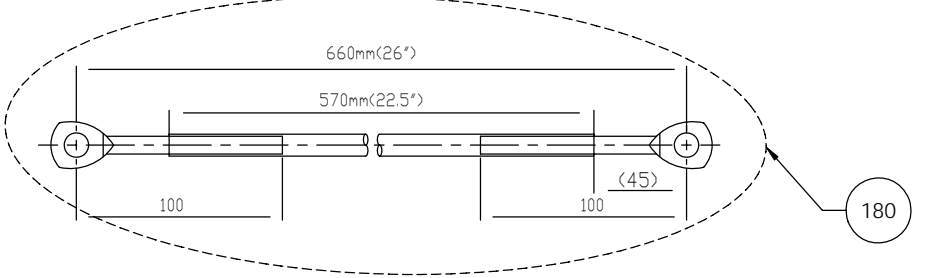
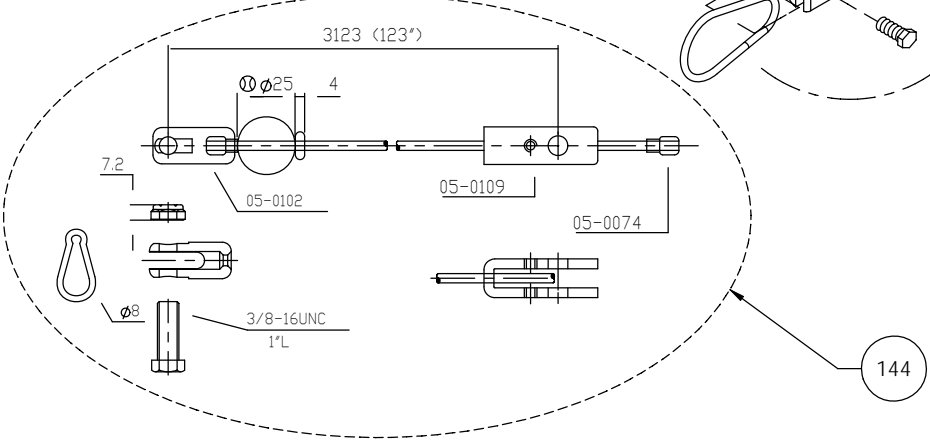
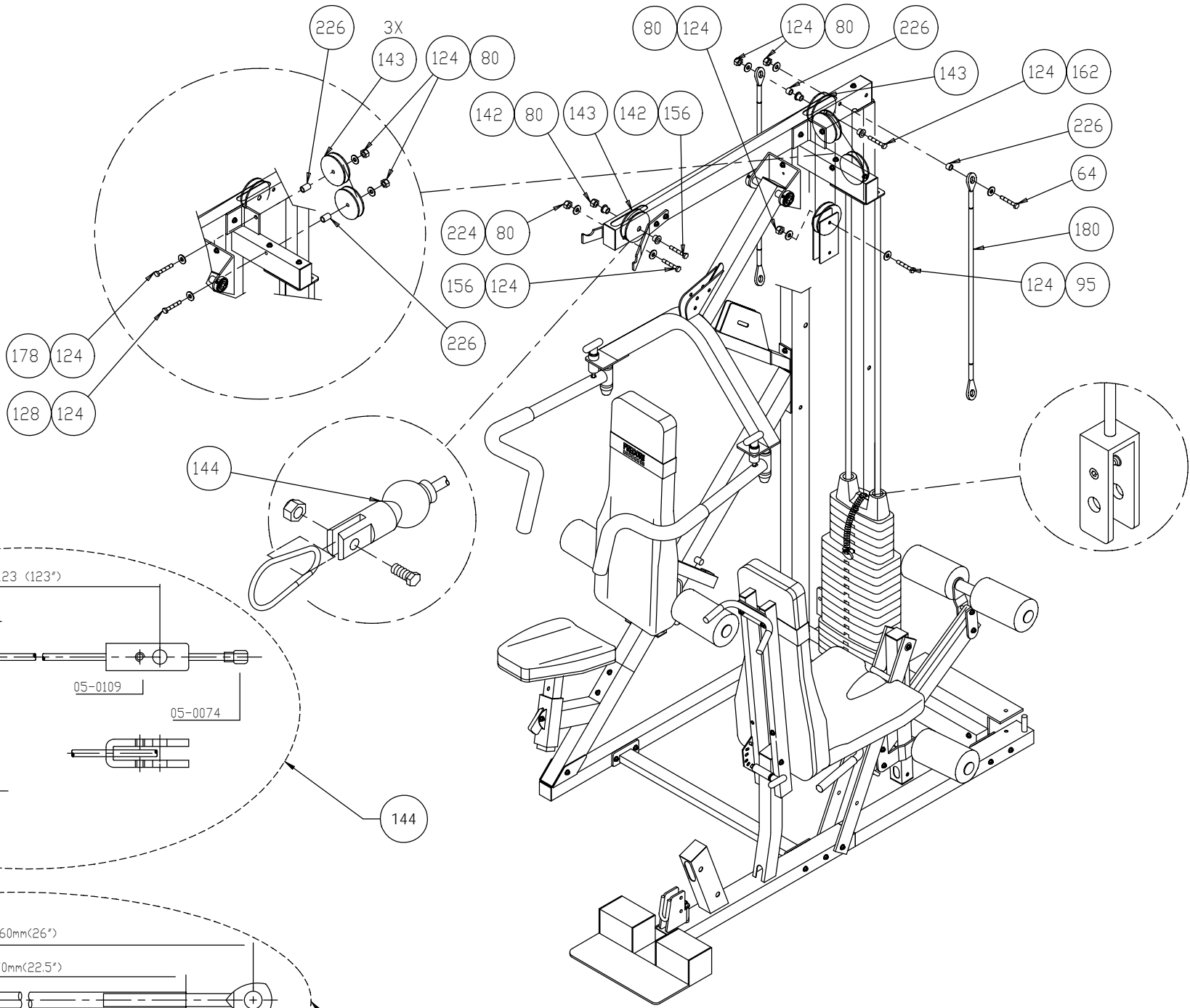


S3.25	P/N : 41829-103	SUBREV : A09
DRAWN BY : C THOMSON	DATE : 04.29.08	SHEET 3 OF 16

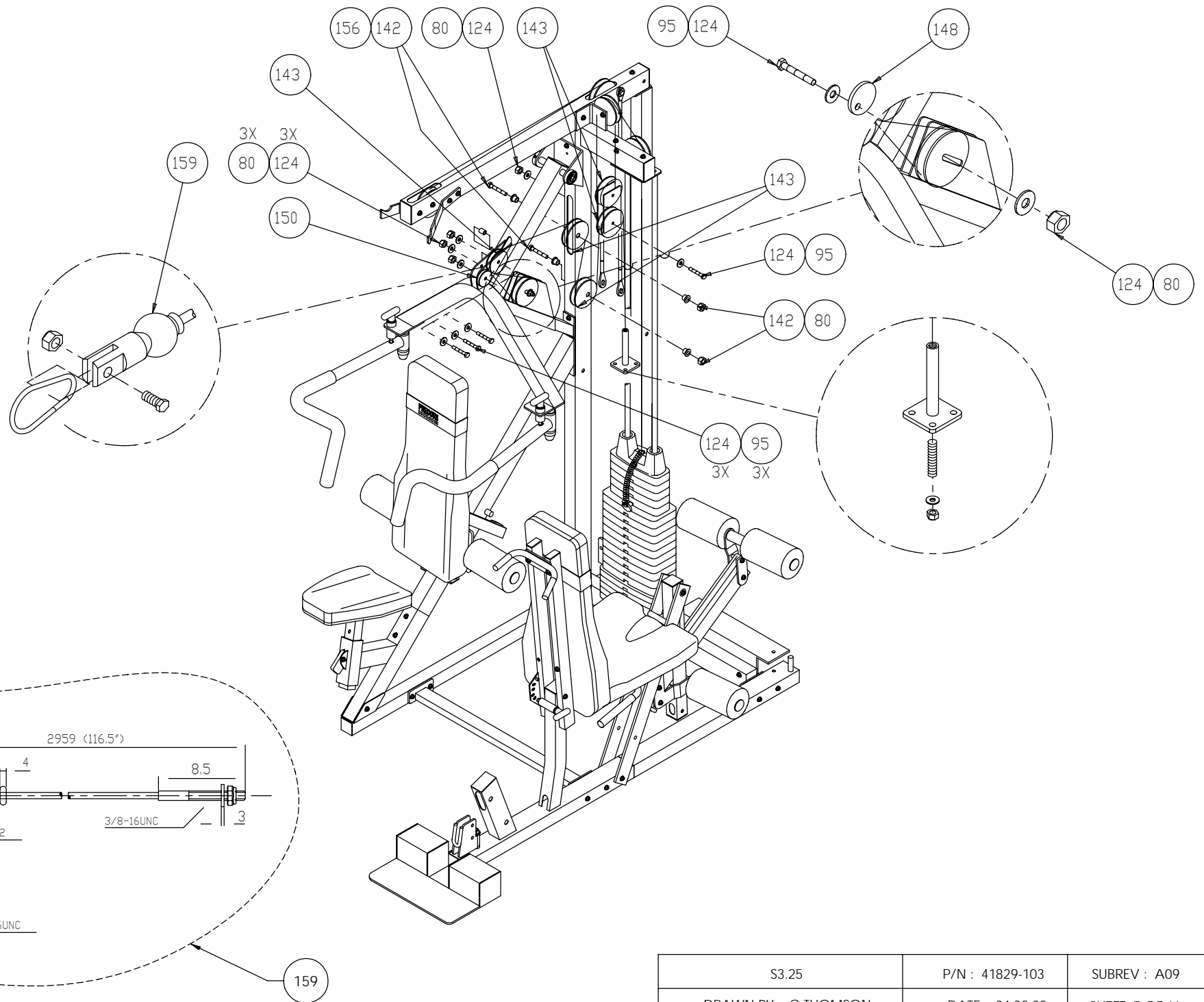




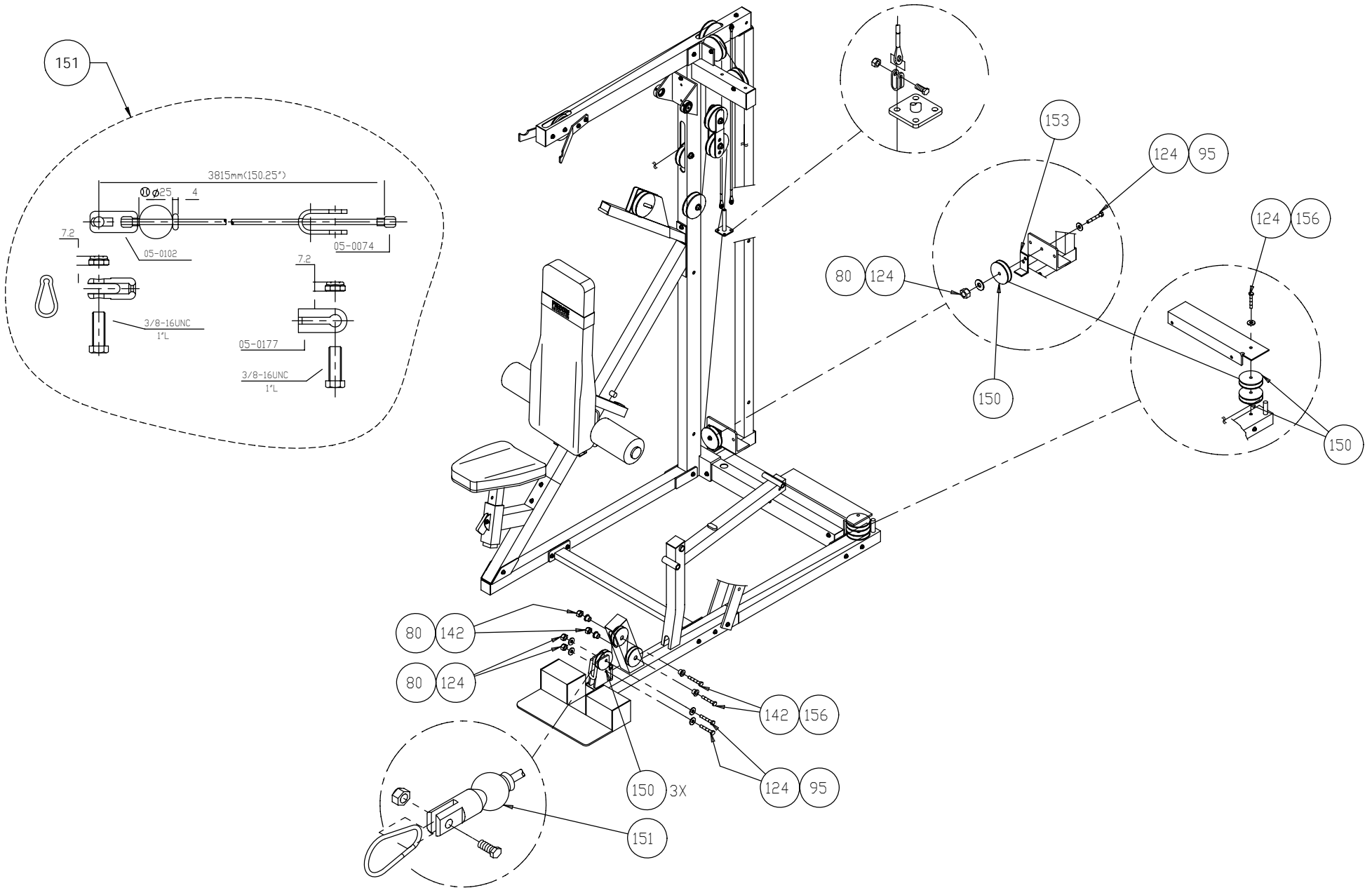
S3.25	P/N : 41829-103	SUBREV : A09
DRAWN BY : C THOMSON	DATE : 04.29.08	SHEET 5 OF 16



S3.25	P/N : 41829-103	SUBREV : A09
DRAWN BY : C THOMSON	DATE : 04.29.08	SHEET 6 OF 16

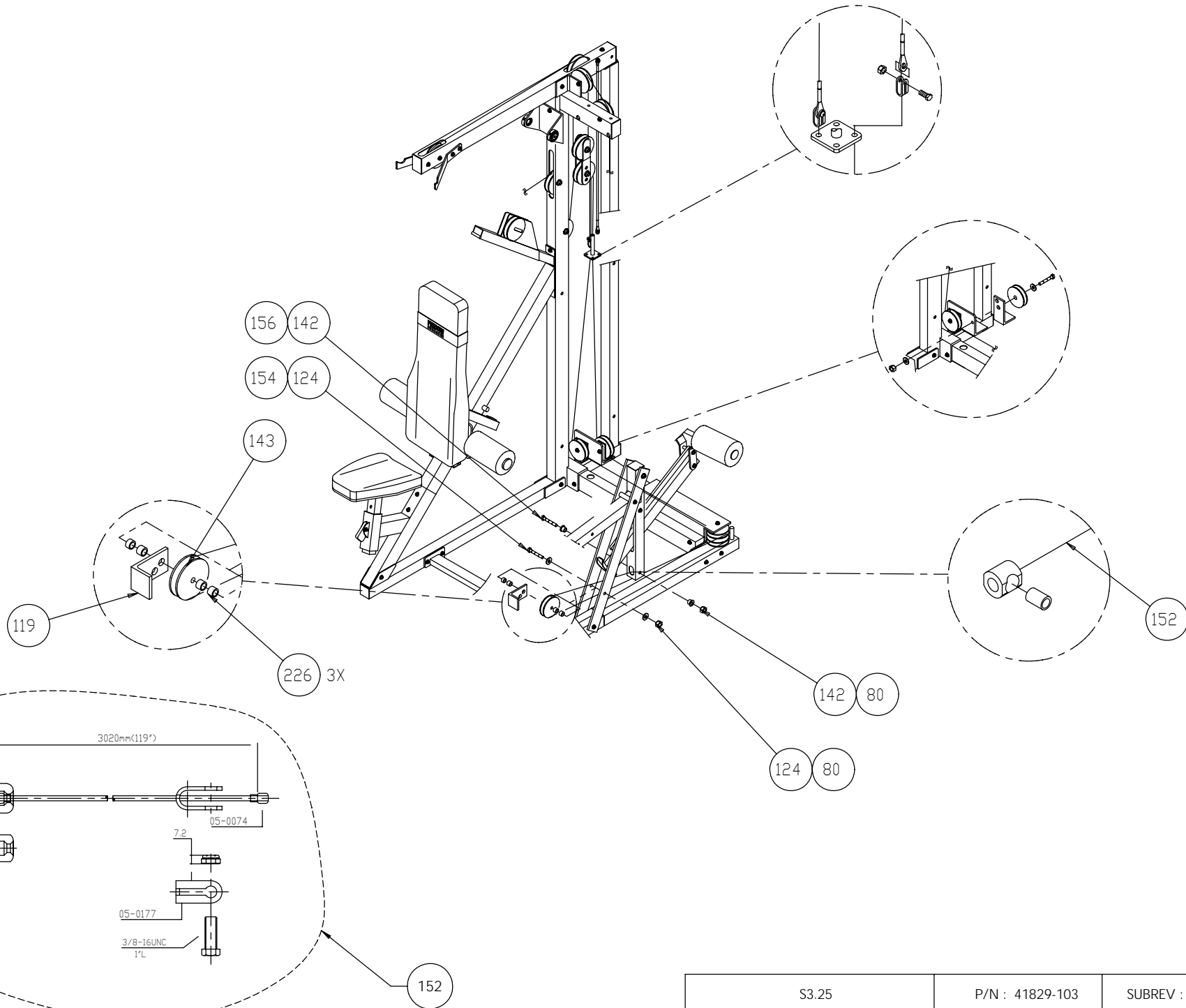


S3.25	P/N : 41829-103	SUBREV : A09
DRAWN BY : C THOMSON	DATE : 04.29.08	SHEET 7 OF 16

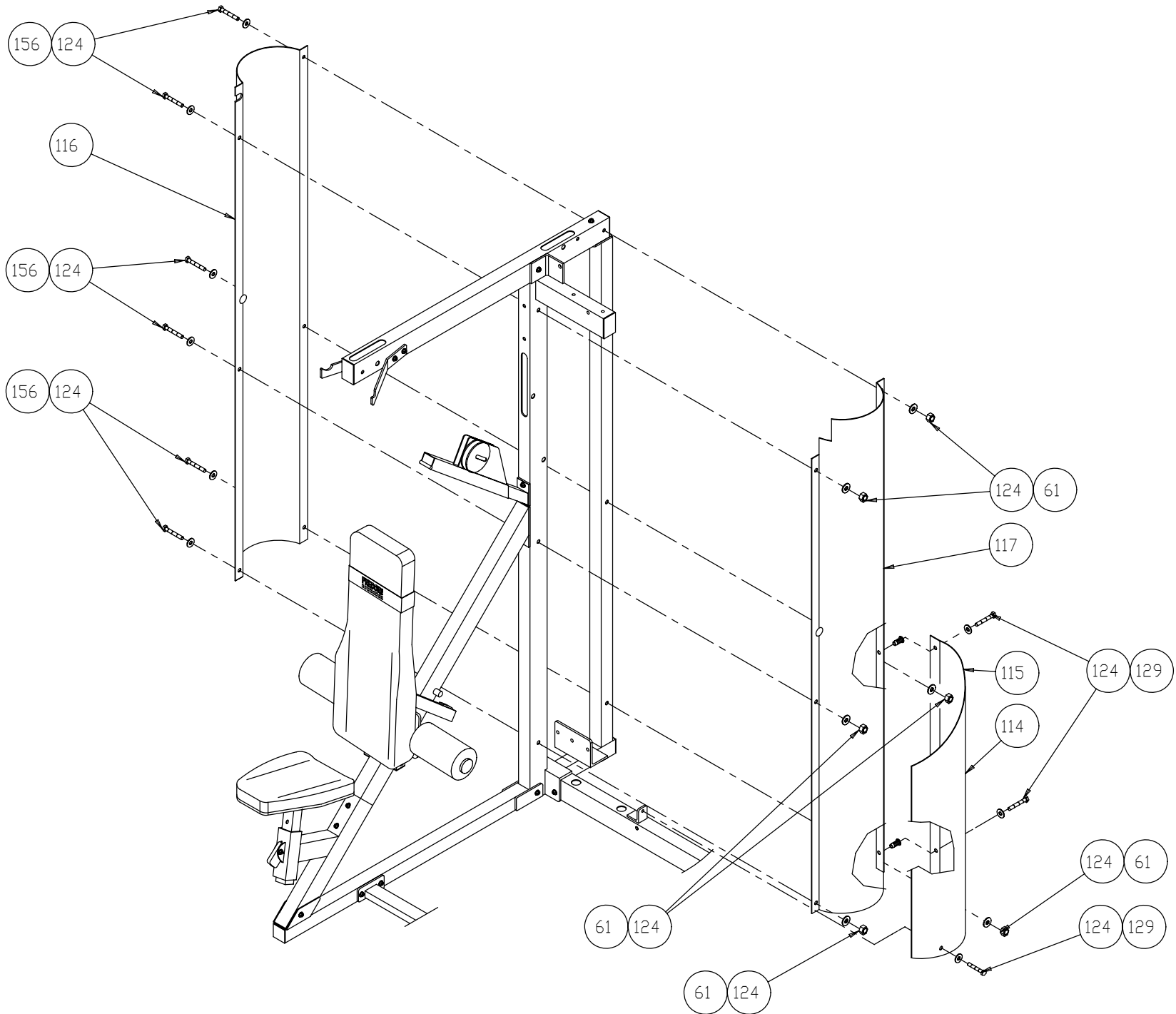


S3.25	P/N : 41829-103	SUBREV : A09
DRAWN BY : C THOMSON	DATE : 04.29.08	SHEET 8 OF 16

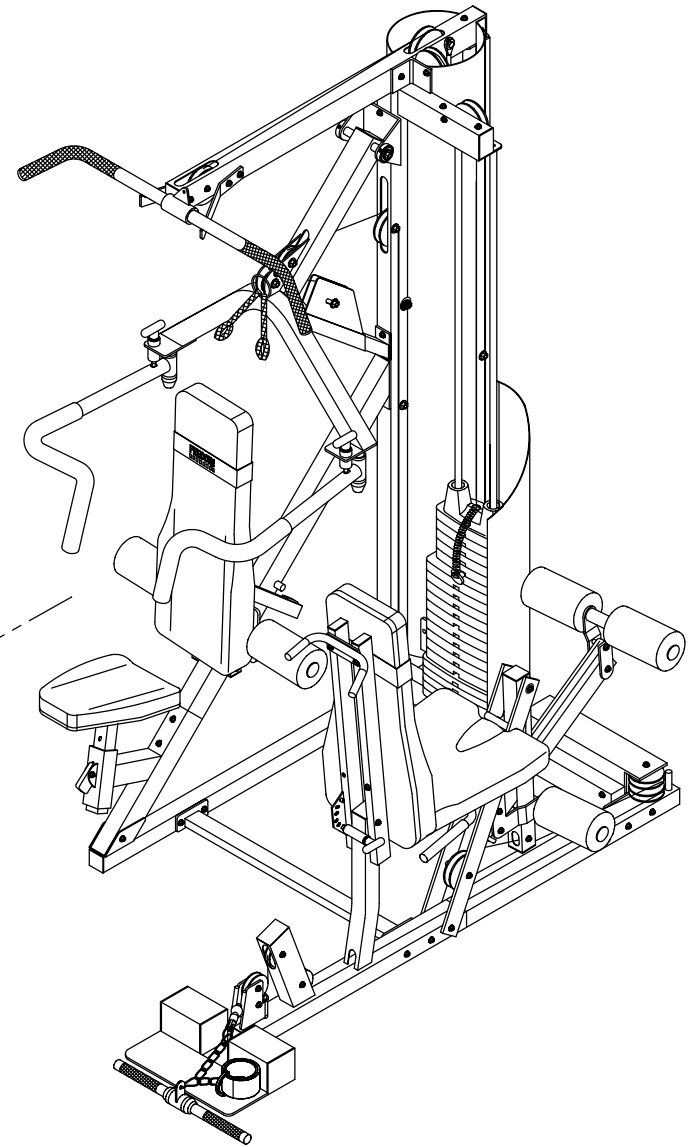
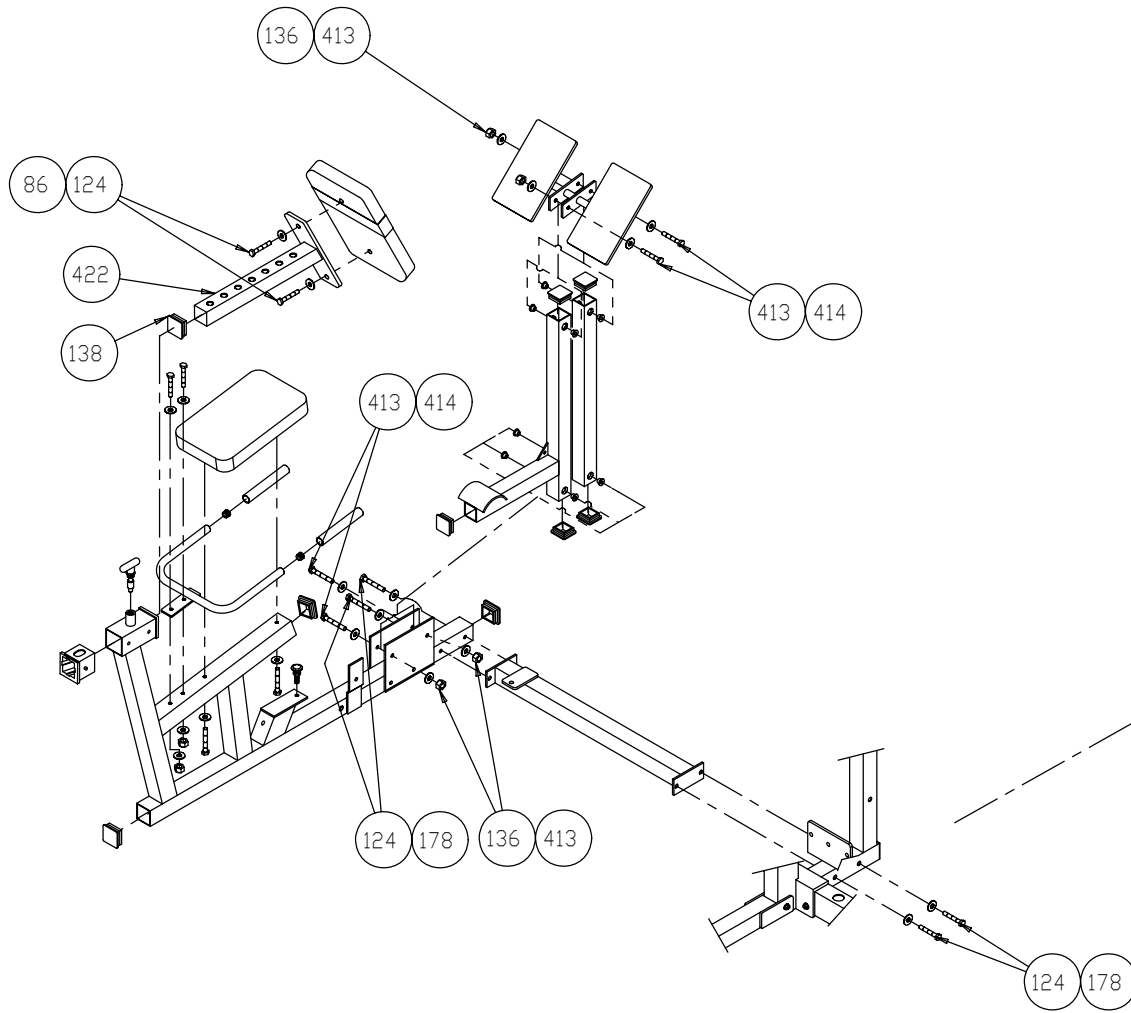




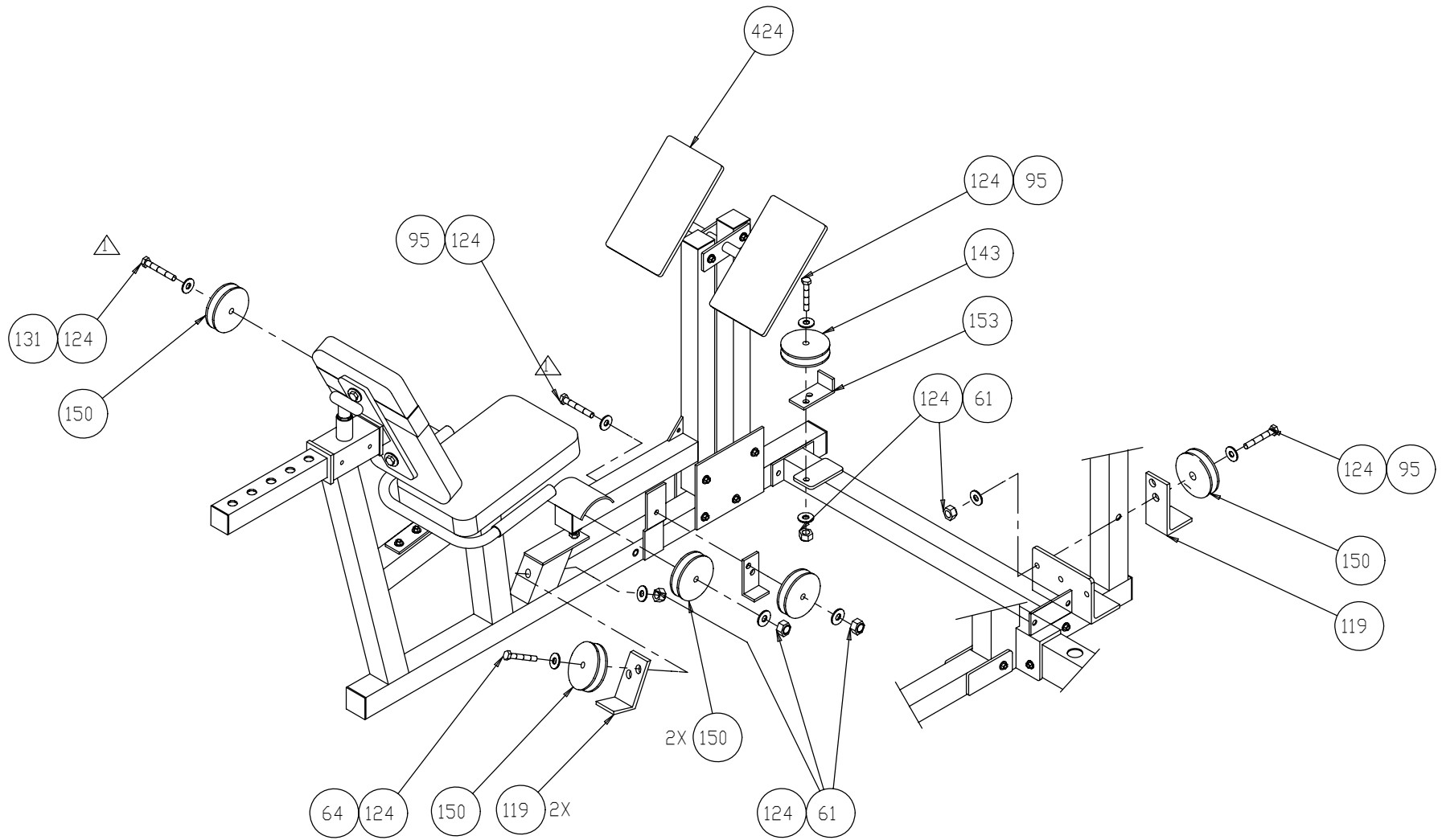
S3.25	P/N : 41829-103	SUBREV : A09
DRAWN BY : C THOMSON	DATE : 04.29.08	SHEET 9 OF 16



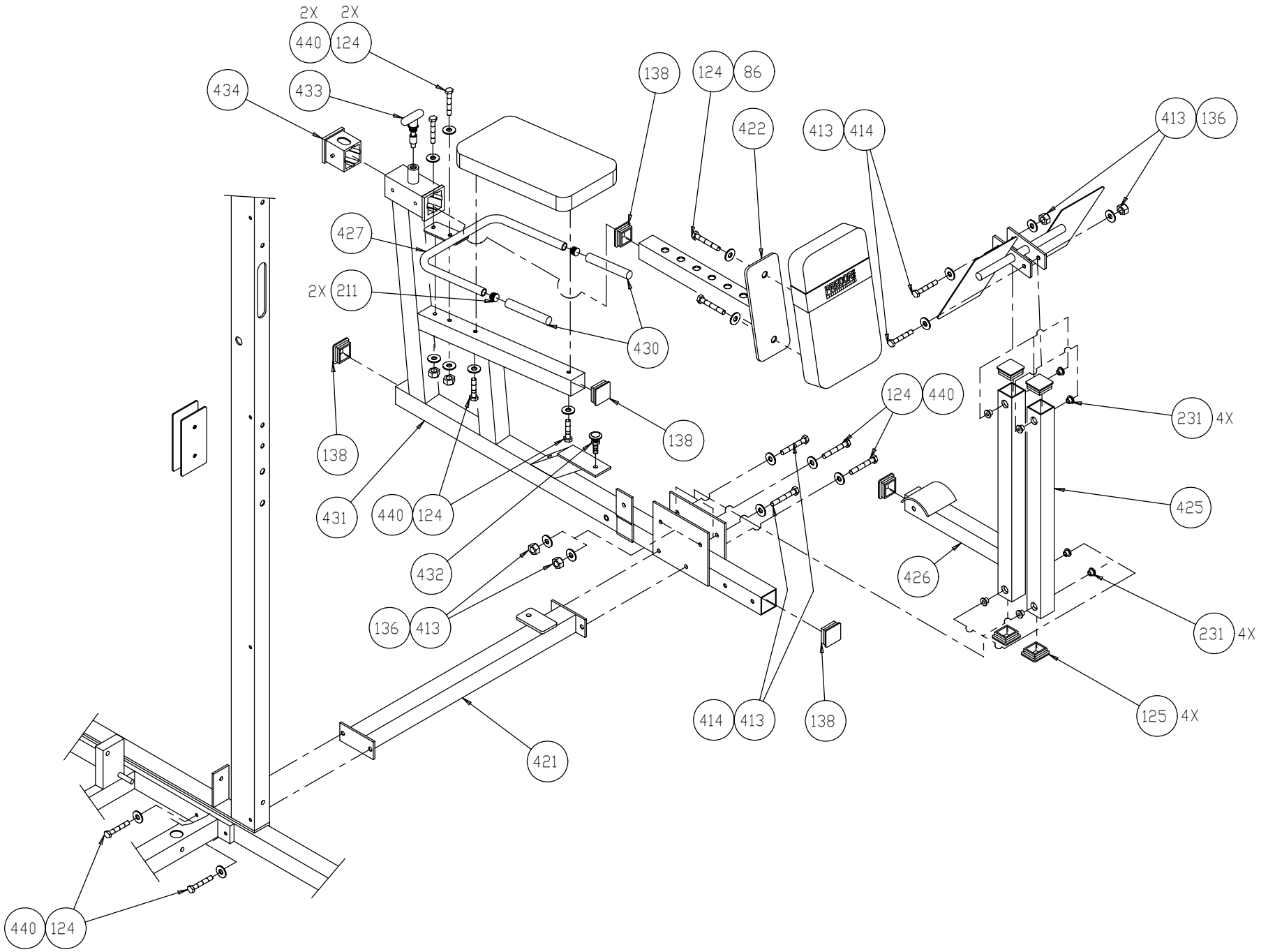
S3.25	P/N : 41829-103	SUBREV : A09
DRAWN BY : C THOMSON	DATE : 04.29.08	SHEET 10 OF 16



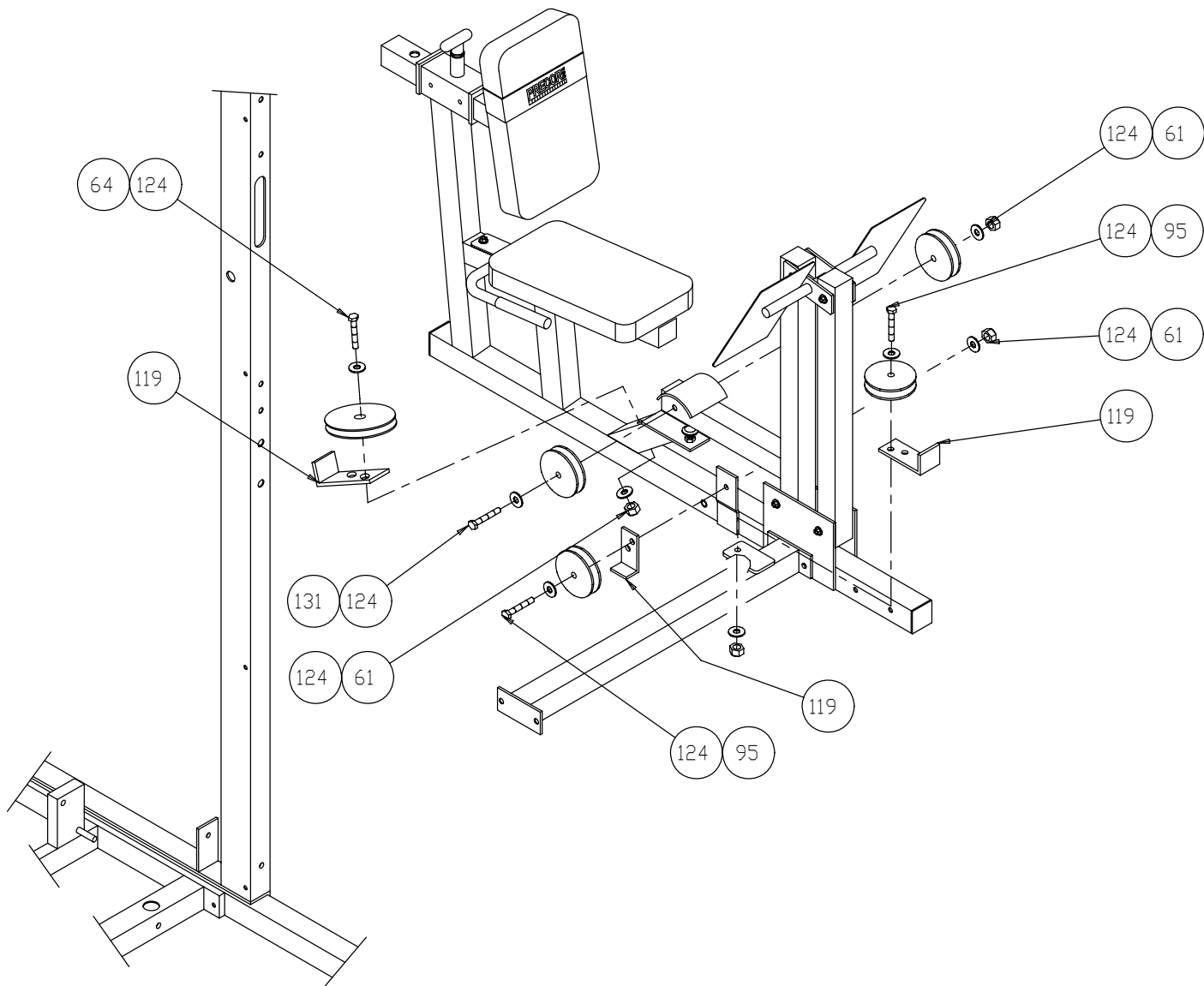
S3.25	P/N : 41829-103	SUBREV : A09
DRAWN BY : C THOMSON	DATE : 04.29.08	SHEET 11 OF 16



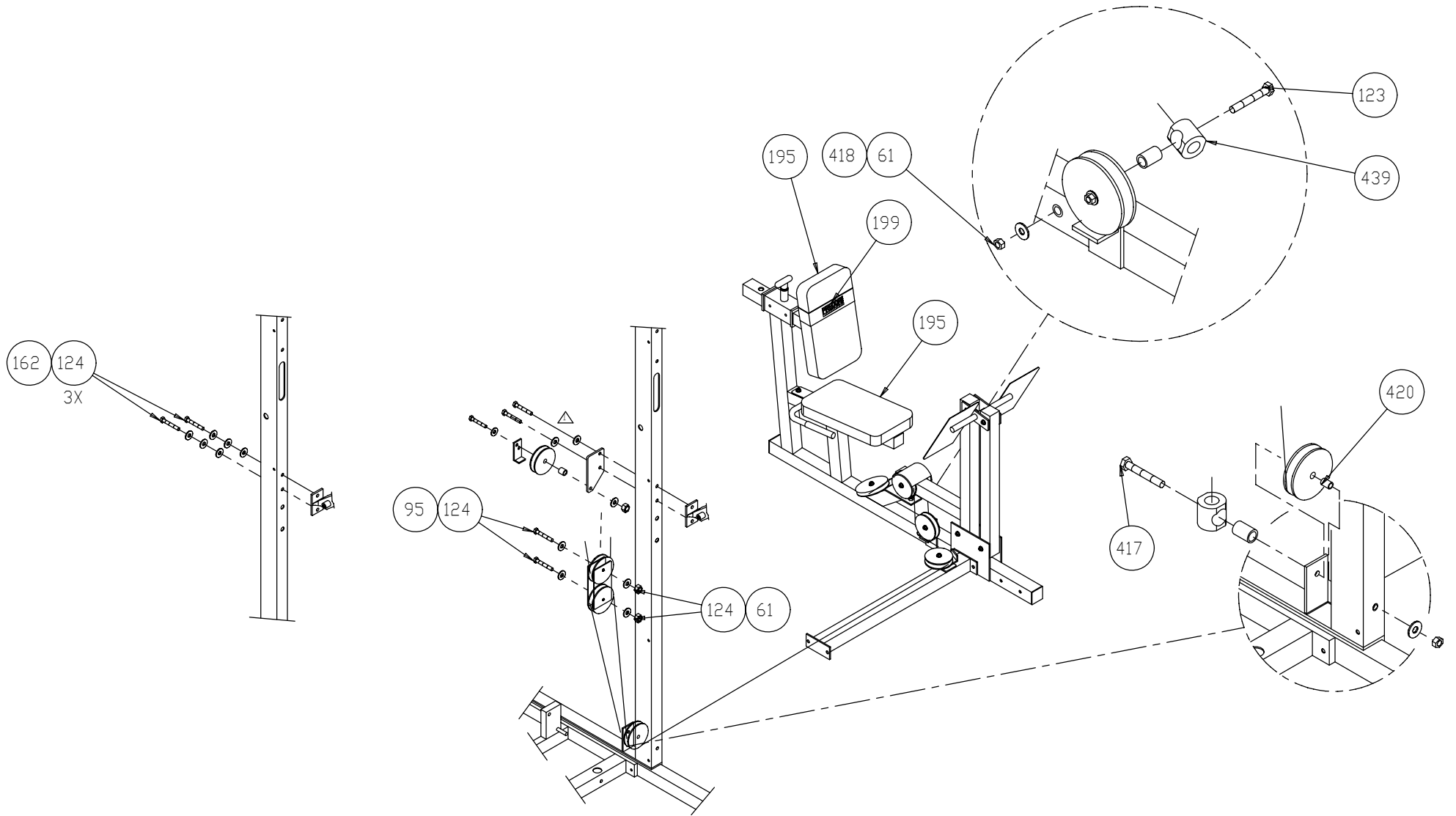
S3.25	P/N : 41829-103	SUBREV : A09
DRAWN BY : C THOMSON	DATE : 04.29.08	SHEET 12 OF 16



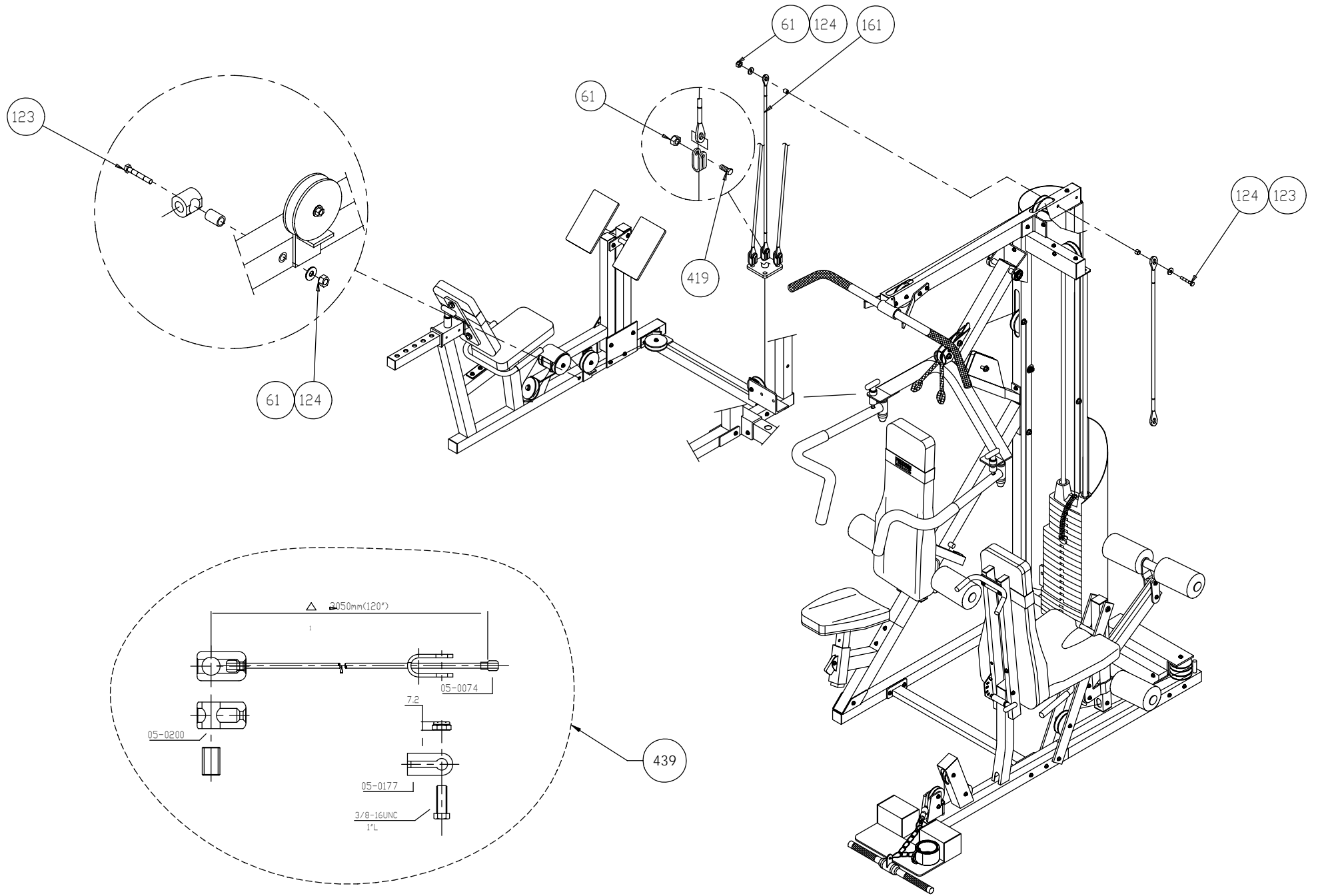
S3.25	P/N : 41829-103	SUBREV : A09
DRAWN BY : C THOMSON	DATE : 04.29.08	SHEET 13 OF 16



S3.25	P/N : 41829-103	SUBREV : A09
DRAWN BY : C THOMSON	DATE : 04.29.08	SHEET 14 OF 16



S3.25	P/N : 41829-103	SUBREV : A09
DRAWN BY : C THOMSON	DATE : 04.29.08	SHEET 15 OF 16



S3.25	P/N : 41829-103	SUBREV : A09
DRAWN BY : C THOMSON	DATE : 04.29.08	SHEET 16 OF 16